

# Conveyor system F45

**F45**

**FT**

**FS**

**FL**

**FLP**

**F65**

**FM**

**FMP**

**F85**

**F85P**

**FH**

**FK**

**FKP**

**FB140**

**FB175**

**FB295**

**SPIRAL**

**FW**

**FLX**

**FMX**

**FHX**

**FBX175**

**FBX295**

**ACC**

**CA**

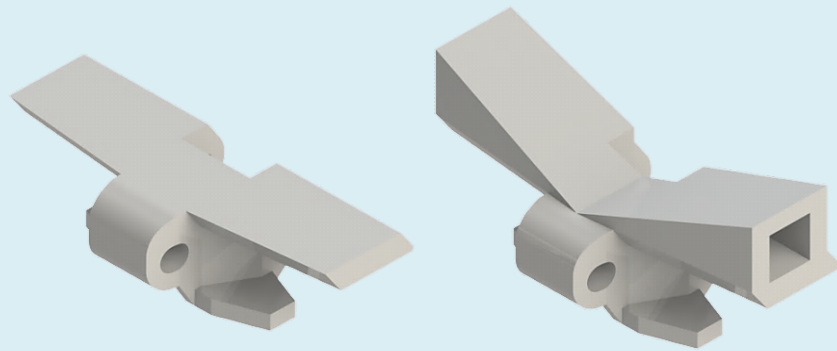
**FC**

**TOOL**

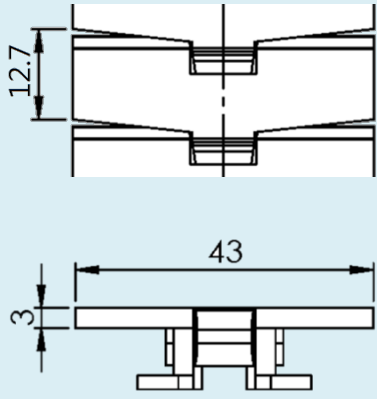
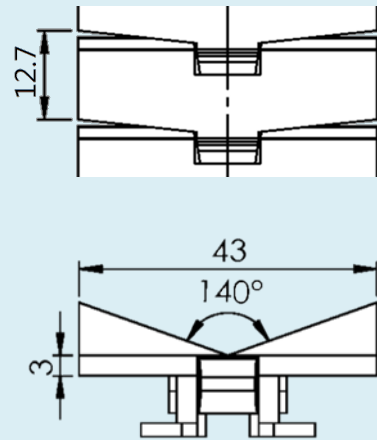
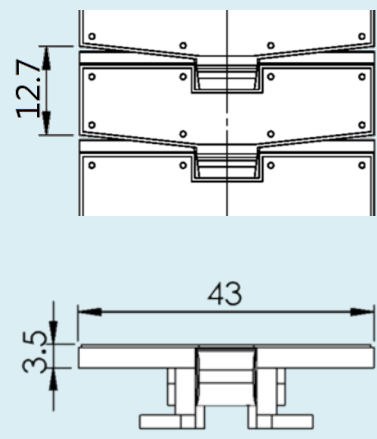
**IDX**

Contents	
Chains	2
Conveyor beam	4
End drive units	8
Idler unit	9
Intermediate drive unit	10
Horizontal plain bends	11
Vertical bends	12
Adjustable guide rail brackets	13
Support brackets	15

# Chains



# Chains

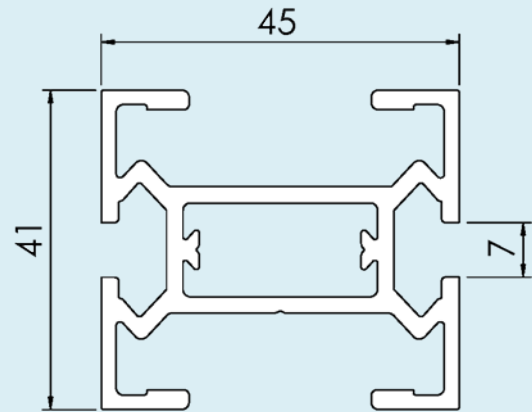
		F45
<i>Plain chain</i>		
<b>FUTP 3A45</b>	Plain chain Length 3 m	
<b>F5111693</b>	Plain link	
<b>FUTP 3A45V</b>	Cleated chain	
<b>FUTP 3A45F</b>	Friction top chain Length 3 m	
<b>F5113308</b>	Friction top link	
<i>Tools and accessories</i>		
<b>FUTD 3X15</b>	Steel pin	

- FT
- FS
- FL
- FLP
- F65
- FM
- FMP
- F85
- F85P
- FH
- FK
- FKP
- FB140
- FB175
- FB295
- SPIRAL
- FW
- FLX
- FMX
- FHX
- FBX175
- FBX295
- ACC
- CA
- FC
- TOOL
- IDX

# Conveyor beam

Beam

**FUCB 3**



Slide rail

Length 25 m

**FTCR 25H**

Polyethylene  
HDPE+PA6 Gray

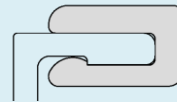
**FTCR 25U**

UHMW White

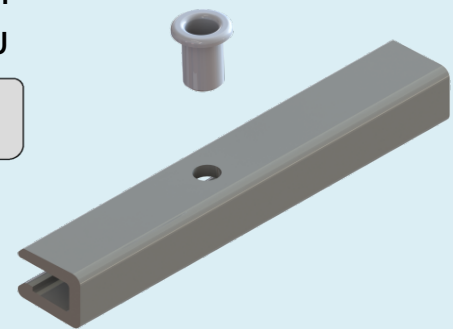
**FLAH 3X6A**

Aluminium rivet

**FTCR 25H**  
**FTCR 25U**



**FLAH 3X6A**



Slide rail for puck handling

**FUCR 3HAG**

HDPE+PA6 White

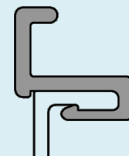
Slide rail for bends, puck handling

**FUCR 3HAGI**

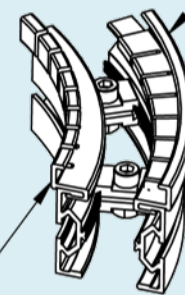
HDPE+PA6 White

**FUCR 3HAGO**

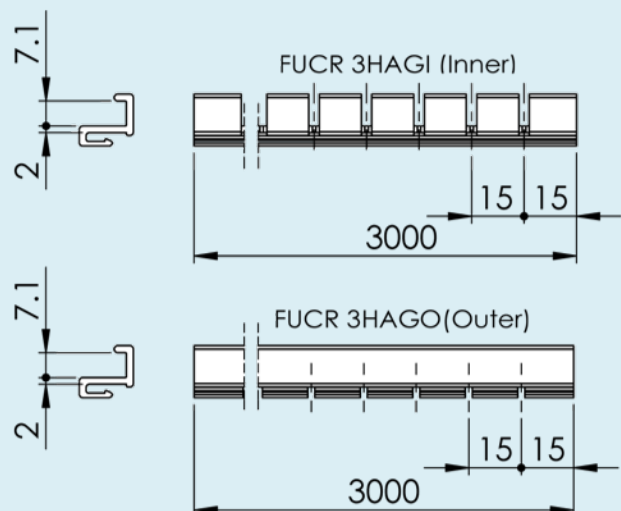
**FTCR 3HAG**



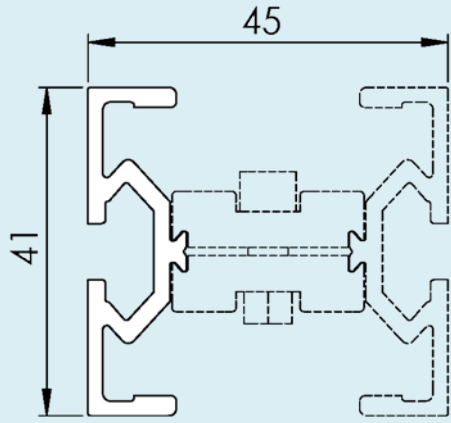
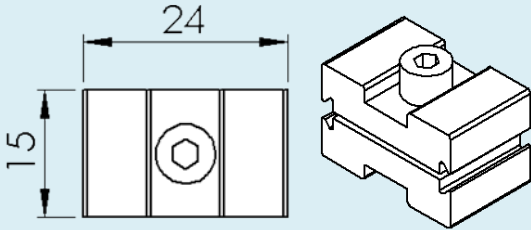
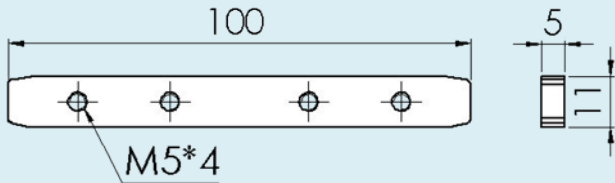
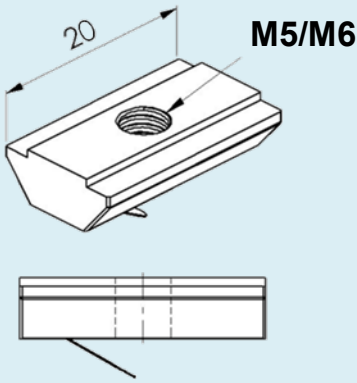
**FUCR 3HAGO (Outer)**



**FUCR 3HAGI (Inner)**



# Conveyor beam

			F45
Half beam			FT
<b>FUCB 3H</b>	Length 3 m		FS
			FL
			FLP
			F65
			FM
			FMP
			F85
			F85P
Beam clip			FH
<b>FUCE 25X14</b>			FK
Including M6 screw and locking nut			FKP
			FB140
			FB175
Connecting strip with set screws			FB295
<b>FUCJ 5X100</b>			SPIRAL
			FW
			FLX
			FMX
<b>FFAN 5*</b>	Steel, zinc-chromated		FHX
<b>F5056131</b>	M5, Multipack (500 pcs)		FBX175
<b>FFAN 6*</b>	Steel, zinc-chromated		FBX295
<b>F5056130</b>	M6, Multipack (500 pcs)		ACC
			CA
			FC
			TOOL
			IDX

\*Note. Must be order in multiples of 10

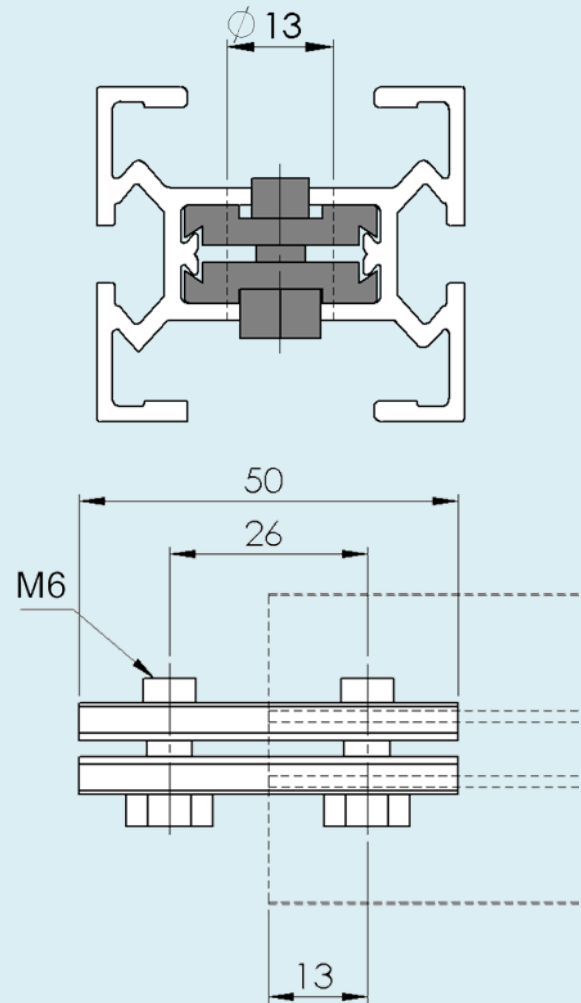
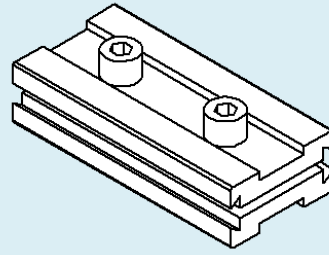
# Conveyor beam

Connecting strip kit

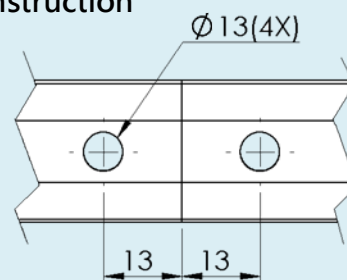
**FUCJ 50**

Connecting strip kit  
Aluminium

Including M6 screws.



Drill instruction



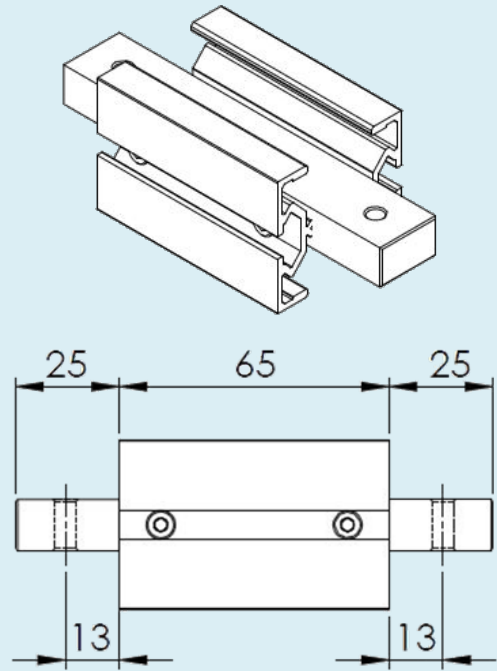
# Conveyor beam

Beam section for chain installation

## FUCC 65

Beam section kit

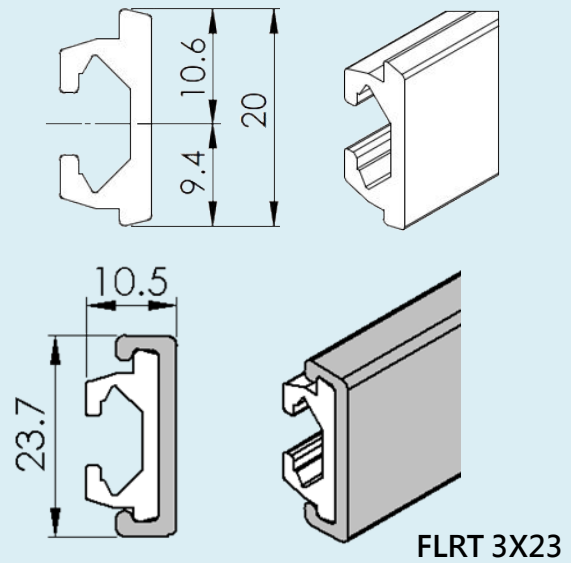
*Including connection strips and screws*



Guide rail, aluminium

## FURS 3X8

Length 3 m



F45

FT

FS

FL

FLP

F65

FM

FMP

F85

F85P

FH

FK

FKP

FB140

FB175

FB295

SPIRAL

FW

FLX

FMX

FHX

FBX175

FBX295

ACC

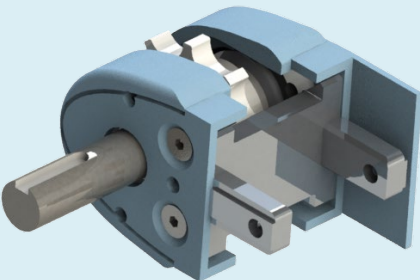
CA

FC

TOOL

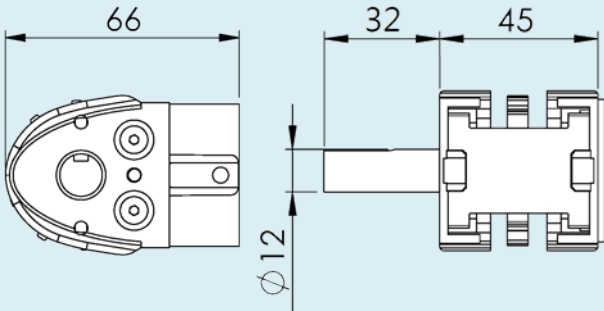
IDX

# End drive unit



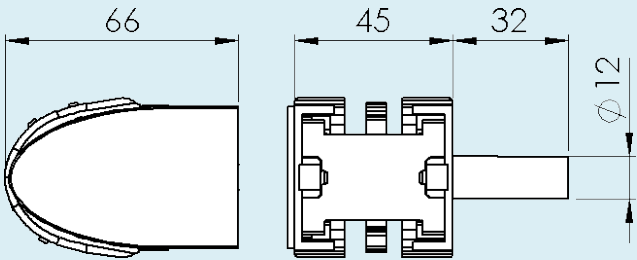
**FUEB 0LU**

Drive unit  
Transmission on  
left hand side



**FUEB 0RU**

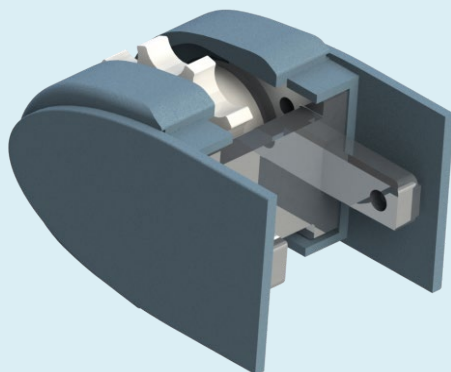
Drive unit  
Transmission on  
right hand side



Maximum weight on conveyor : 30 kg  
Maximum conveyor length : 6 M  
Conveyor speed : 5-20 M/min

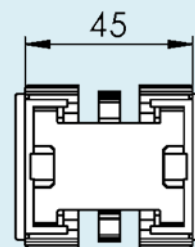
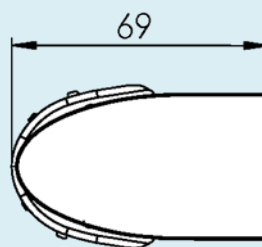


# Idler end unit



**FUEJ 50**

Idler end unit



**F45**

**FT**

**FS**

**FL**

**FLP**

**F65**

**FM**

**FMP**

**F85**

**F85P**

**FH**

**FK**

**FKP**

**FB140**

**FB175**

**FB295**

**SPIRAL**

**FW**

**FLX**

**FMX**

**FHX**

**FBX175**

**FBX295**

**ACC**

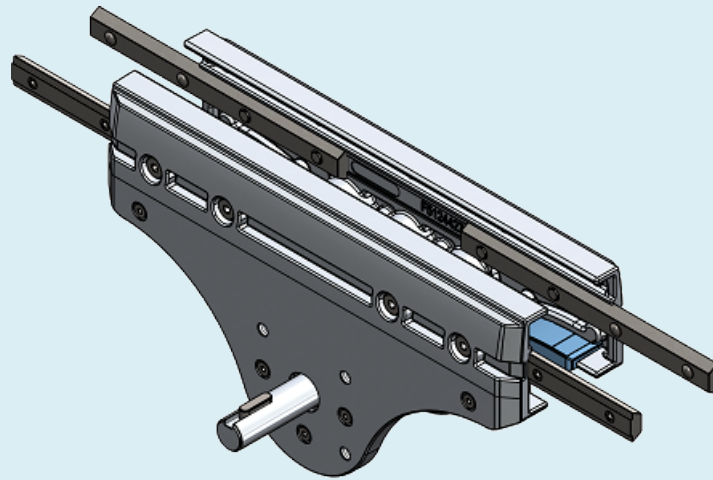
**CA**

**FC**

**TOOL**

**IDX**

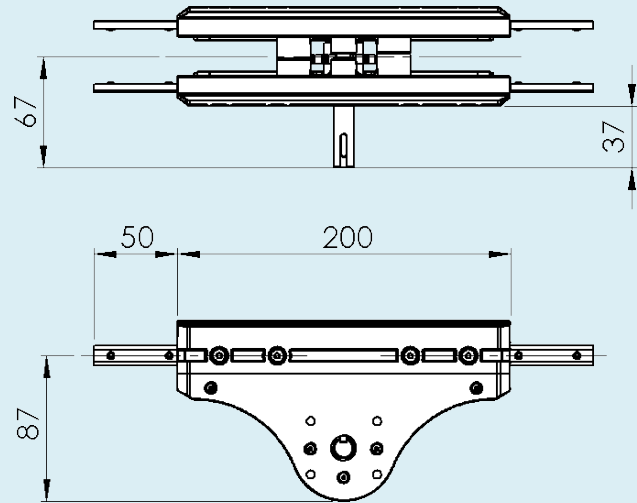
# Intermediate drive unit



**FUER 0UA**      Basic unit

Effective track length: 0.45 m  
Height 90 to center T-slot

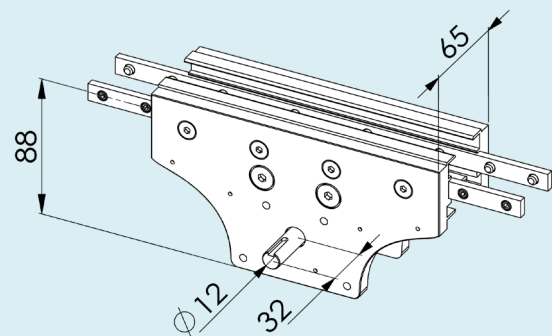
\*Aluminum



**FUER 0U**      Basic unit

Effective track length: 0.45 m  
Height 90 to center T-slot

Maximum weight on conveyor : 30 kg  
Maximum conveyor length : 6 M  
Conveyor speed : 5-20 M/min



# Horizontal plain bends

Item	Angle(a)	Radius(R)	Length(L)
FUBP 30R150	30°	150 ±5	160
FUBP 45R150	45°	150 ±5	190
FUBP 90R150	90°	150 ±5	212
FUBP 180R150	180°	150 ±5	212

Item	Angle(a)	Radius(R)	Length(L)
FUBP 30R210	30°	210 ±5	190
FUBP 45R210	45°	210 ±5	232
FUBP 90R210	90°	210 ±5	272
FUBP 180R210	180°	210 ±5	272

## FUBP 30R150

## FUBP 30R210

Horizontal plain bend, 30°

## FUBP 45R150

## FUBP 45R210

Horizontal plain bend, 45°

## FUBP 90R150

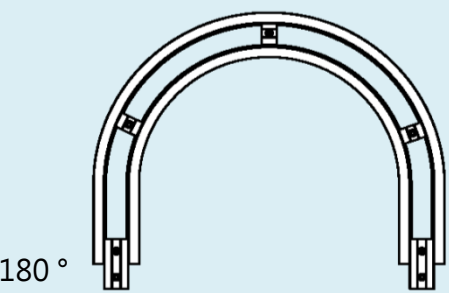
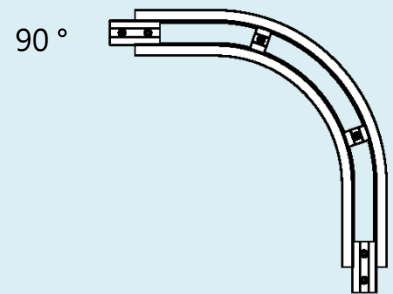
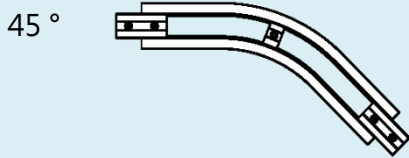
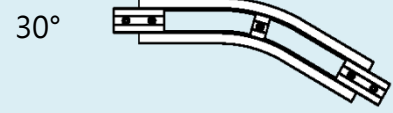
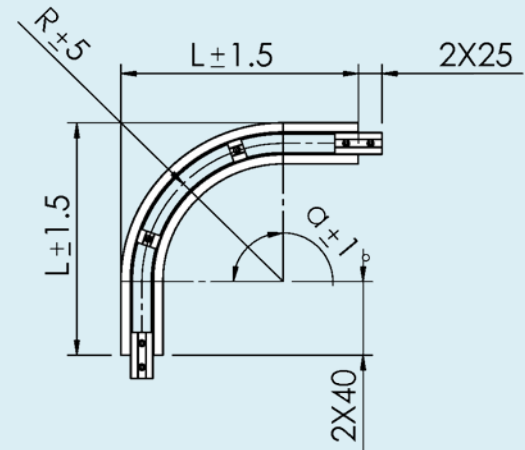
## FUBP 90R210

Horizontal plain bend, 90°

## FUBP 180R150

## FUBP 180R210

Horizontal plain bend, 180°



F45

FT

FS

FL

FLP

F65

FM

FMP

F85

F85P

FH

FK

FKP

FB140

FB175

FB295

SPIRAL

FW

FLX

FMX

FHX

FBX175

FBX295

ACC

CA

FC

TOOL

IDX

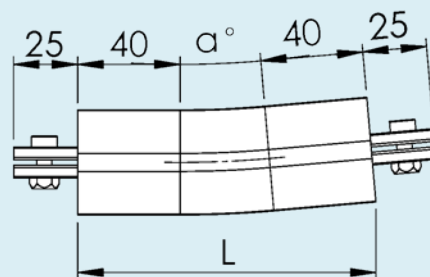
# Vertical bends



## **FUBV 5R400**

Vertical bend,  $5^\circ$

$R=400$ ,  $L=116.5$ ,  $a=5^\circ$



## **FUBV 15R400**

Vertical bend,  $15^\circ$

$R=400$ ,  $L=187$ ,  $a=15^\circ$

Effective track lengths:

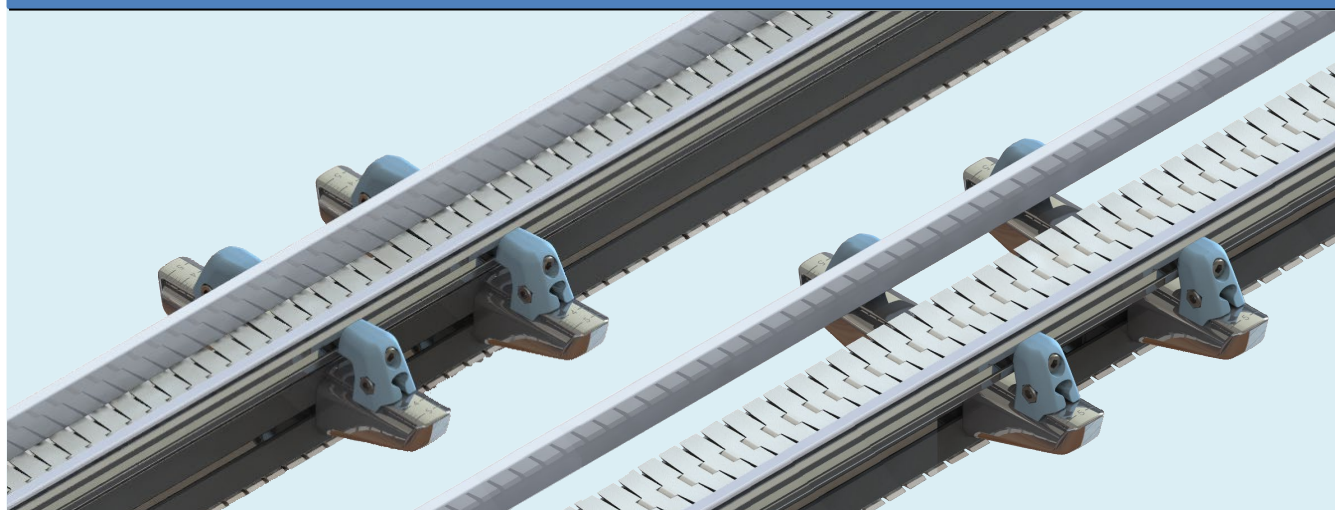
$a=5^\circ$   $R400$  :

0.20 m 1-way (0.40 m 2-way)

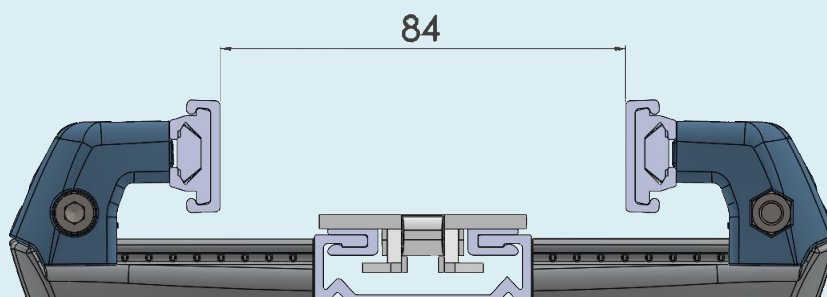
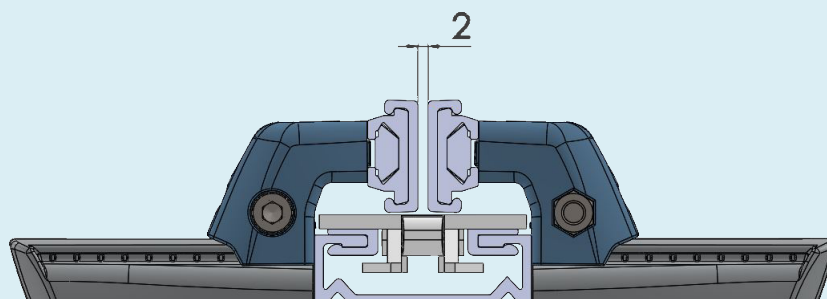
$a=15^\circ$   $R400$  :

0.26 m 1-way (0.52 m 2-way)

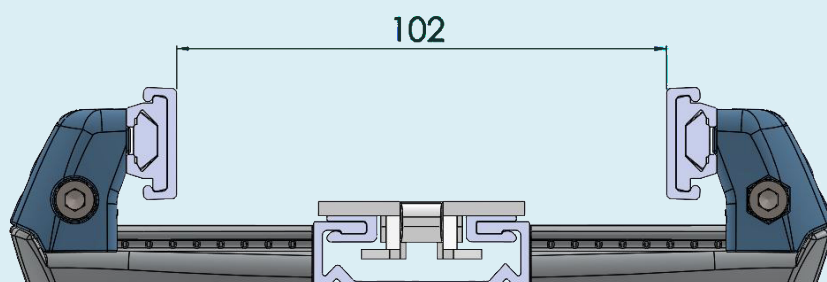
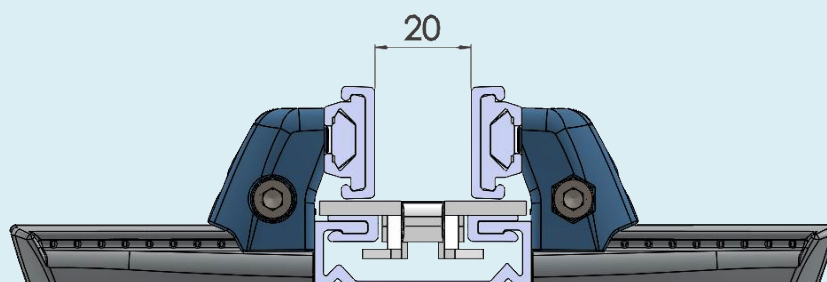
# Adjustable guide rail brackets



**FURA 30X41X37**



**FURA 40X41X37**



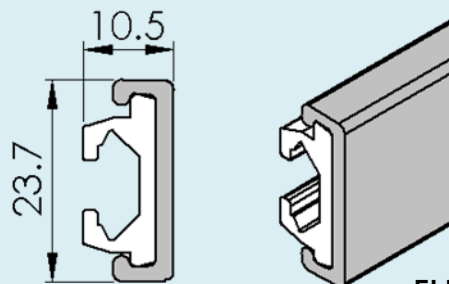
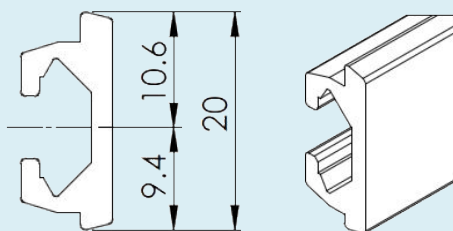
<b>F45</b>
FT
FS
FL
FLP
F65
FM
FMP
F85
F85P
FH
FK
FKP
FB140
FB175
FB295
SPIRAL
FW
FLX
FMX
FHX
FBX175
FBX295
ACC
CA
FC
TOOL
IDX

# Adjustable guide rail brackets

Guide rail, aluminium

**FURS 3X8**

Length 3 m

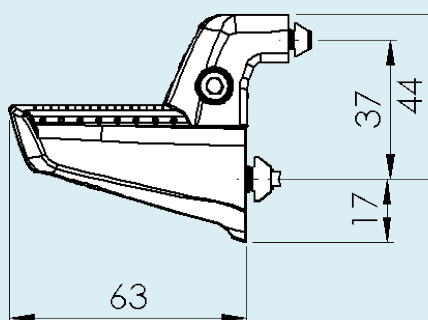
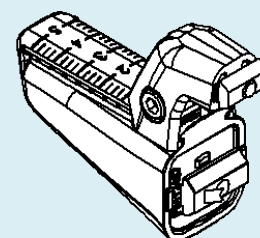
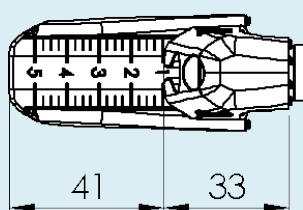


FLRT 3X23

**FURA 30X41X37**

Guide rail bracket for F45

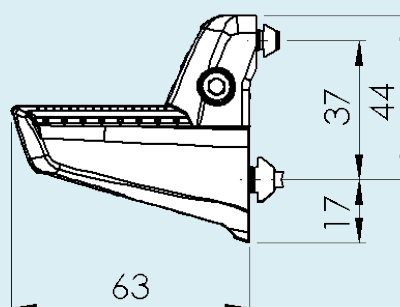
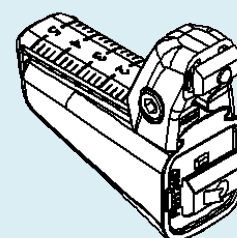
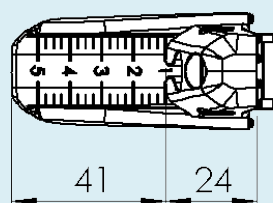
Including mounting hardware



**FURA 40X41X37**

Guide rail bracket for F45

Including mounting hardware



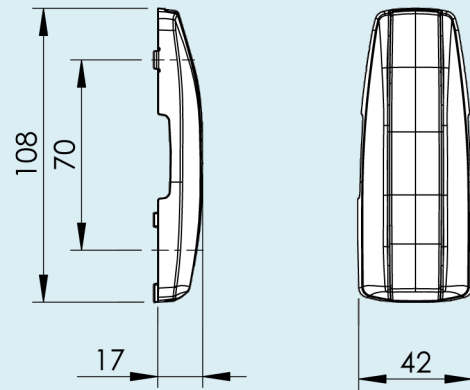
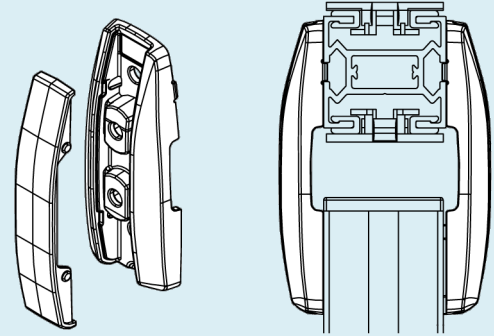
# Support brackets

Beam support bracket  
Aluminium, die-cast

**FUCS 44**  
for F45 vertical support beam

Including cap **F5112469(1)**

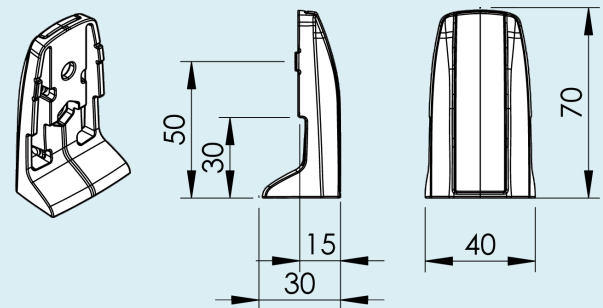
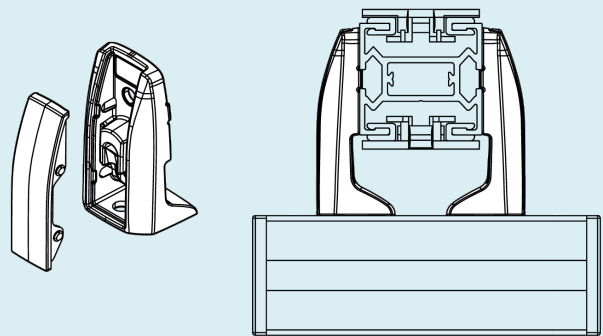
Can be used with cable ducts  
**With mounting accessories**



**FUCT 50**  
For 44 mm vertical support beam.

Including cap **F5112472(1)**

Can be used with cable ducts  
**With mounting accessories**



**F45**

**FT**

**FS**

**FL**

**FLP**

**F65**

**FM**

**FMP**

**F85**

**F85P**

**FH**

**FK**

**FKP**

**FB140**

**FB175**

**FB295**

**SPIRAL**

**FW**

**FLX**

**FMX**

**FHX**

**FBX175**

**FBX295**

**ACC**

**CA**

**FC**

**TOOL**

**IDX**

